

Rainmaker Select

Overhead shower 460 3jet with ceiling connector

Surfaces: **White/Chrome** Article Number: **24006400**



Description

product features

- consists of: overhead shower, ceiling connector, escutcheon
- shower head size: 466 x 300 mm
- spray type: Rain, RainStream, MonoRain
- ball-joint: overhead shower angle adjustable
- material spray disc: plexiglas
- spray disc surface: easy cleanable spray disc in glass optics
- brass ceiling connector
- ceiling connection length: 100 mm
- maximum flow rate at 3 bar: 23 l/min
- flow rate Rain spray (at 3 bar): 17 l/min
- flow rate RainStream spray (at 3 bar): 22 l/min
- flow rate Mono spray (at 3 bar): 23 l/min
- function from: 11,5 l/min
- minimum flow pressure: 1,5 bar
- the 3 spray zones must be controlled via 3 valves or a diverter valve with 3 outlets
- spray disc removable for cleaning
- overhead shower removable for cleaning
- installation: ceiling
- connection dimension: DN15
- not suitable for continuous flow water heaters
- not included: basic set

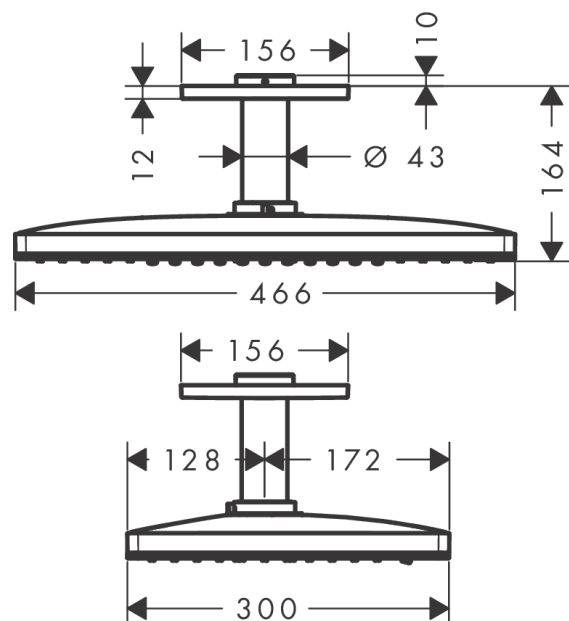
Technology



Product image



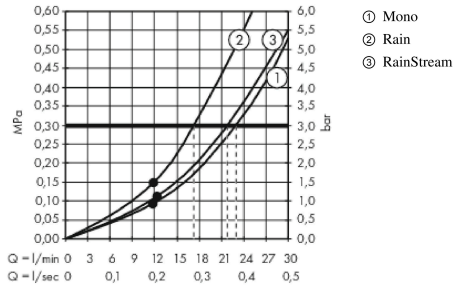
Scale drawing



Rainmaker Select
Overhead shower 460 3jet with ceiling connector
 Surfaces: **White/Chrome** Article Number: **24006400**



Flowchart



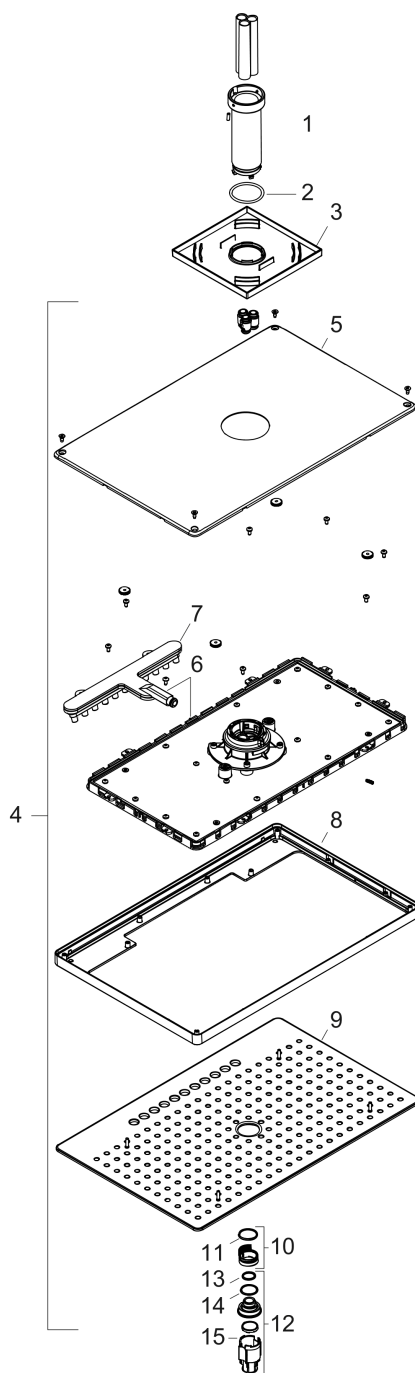
The consumption was measured in combination with the appropriate fittings (thermostat/mixer/ in-wall valve) to reflect actual application in practice.

Rainmaker Select
Overhead shower 460 3jet with ceiling connector
 Surfaces: **White/Chrome** Article Number: **24006400**



Exploded Drawing

Year of production: >07/15



Rainmaker Select
Overhead shower 460 3jet with ceiling connector
 Surfaces: **White/Chrome** Article Number: **24006400**



Spare part list

Year of production: >07/15

Pos.	Description	Article Number	Price	PU
1	sleeve	92709000	€ 203,97	1
2	O-ring 42x3,5	92708000	€ 3,21	1
3	escutcheon 155 / 155 mm	92710000	€ 57,12	1
4	head shower	92681000	€ 2.809,23	1
5	cover	93393000	€ 162,08	1
6	cartridge, assy	93389000	€ 401,27	1
7	spray insert	92923000	€ 86,16	1
8	frame	93391000	€ 539,55	1
9	spray body	92704000	€ 1.091,94	1
10	filter	92683000	€ 18,33	1
11	O-ring 24x2	98388000	€ 3,21	1
12	aerator laminar	92684000	€ 86,16	1
13	O-ring 15x2	98163000	€ 3,21	1
14	O-ring 21x2	98205000	€ 5,24	1
15	special tool	92686000	€ 8,45	1
a	base body	24010180	-	1
b	extension set	35288000	-	1
c	Grease	90920000	€ 13,92	1